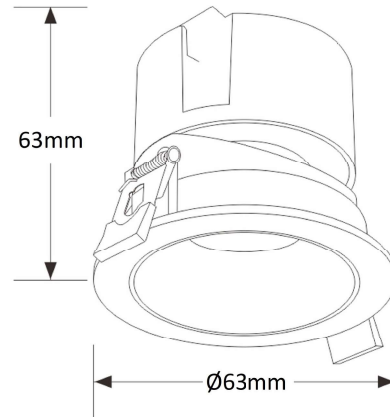


DOWNLIGHT



DESCRIPTION

USE HIGH PERFORMANCE COB LED, ALUMINUM HEATSINK AND UNIQUE DIE CASTING HEATSINK DESIGN ENSURE BETTER HEAT DISSIPATION.

FIXTURE DIM: Ø63mm x H63mm
 MATERIAL: DIE-CASTING ALUMINUM HEATSINK
 ACCESSORIES: REFLECTOR

LIGHT SOURCE AND PERFORMANCE

| | |
|------------------|---------|
| LIGHT SOURCE: | LED COB |
| SDCM: | - |
| CCT: | 4000K |
| CRI: | ≥90 |
| SYSTEM POWER: | 5W |
| DELIVERED LUMEN: | 450lm |
| IP: | 20 |

MOUNTING

RECESSED TRIM

OPTICS

BEAM ANGLE: 24°

ELECTRICAL / LED DRIVER

SUPPLY WITH NON-DIMMABLE DRIVER AC 100-240V

DIMMING OPTION

NO DIMMING

FINISH

WHITE

