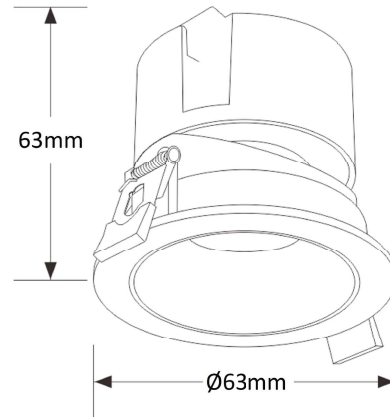


## DOWNLIGHT



### DESCRIPTION

USE HIGH PERFORMANCE COB LED, ALUMINUM HEATSINK AND UNIQUE DIE CASTING HEATSINK DESIGN ENSURE BETTER HEAT DISSIPATION.

FIXTURE DIM: Ø63mm x H63mm  
 MATERIAL: DIE-CASTING ALUMINUM HEATSINK  
 ACCESSORIES: REFLECTOR

### LIGHT SOURCE AND PERFORMANCE

LIGHT SOURCE:	LED COB
SDCM:	-
CCT:	6000K
CRI:	≥90
SYSTEM POWER:	5W
DELIVERED LUMEN:	450lm
IP:	20

### MOUNTING

RECESSED TRIM

### OPTICS

BEAM ANGLE: 15°

### ELECTRICAL / LED DRIVER

SUPPLY WITH NON-DIMMABLE DRIVER AC 100-240V

### DIMMING OPTION

NO DIMMING

### FINISH

WHITE

