

## To Customer

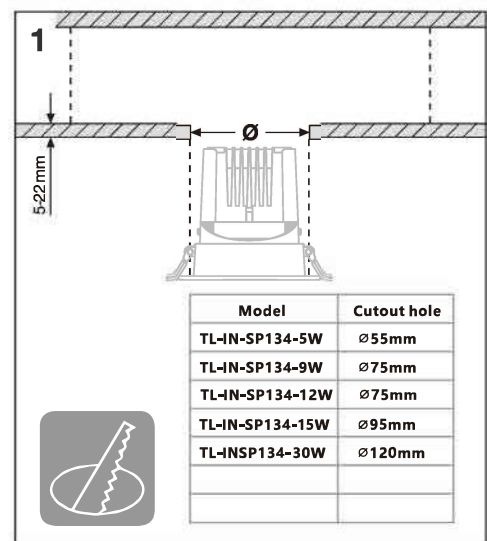
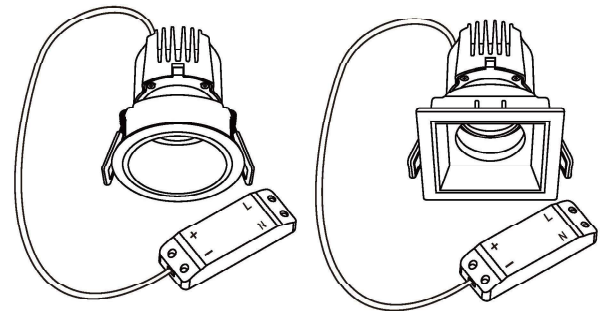
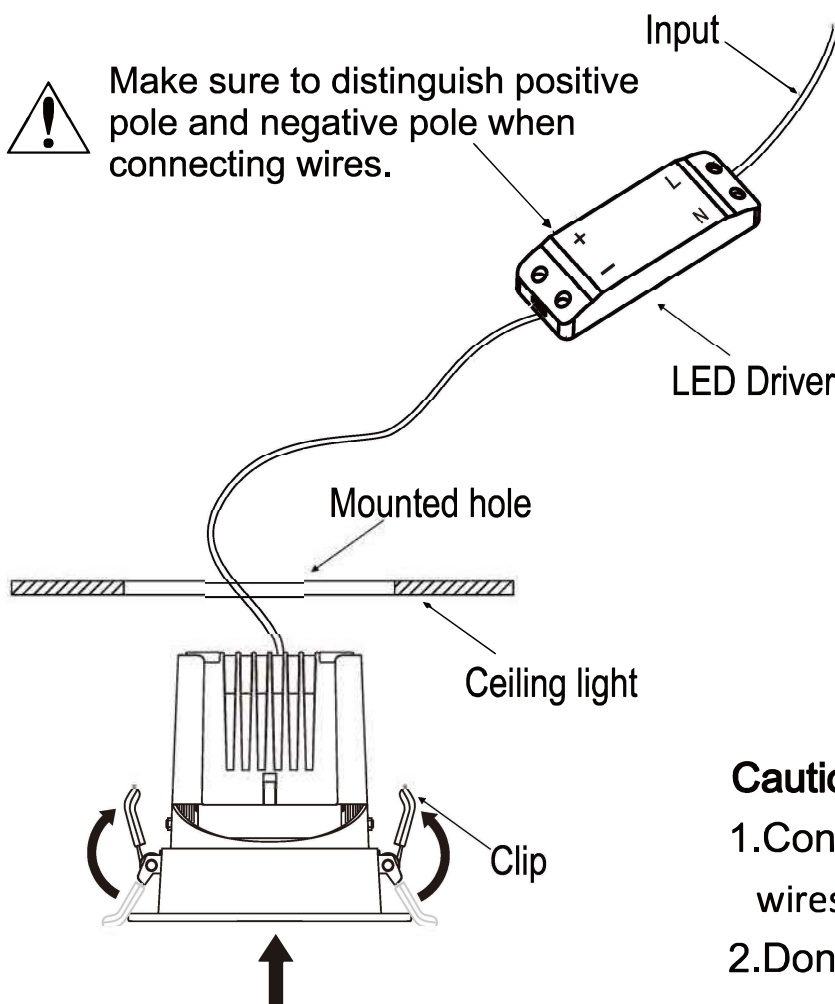
Please read the manual thoroughly before using the product. This Manual should be retained for the future reference.

## Notes:

- 1.This light must work with LED Driver. And the power of light must match driver's power to ensure the light's long life-span.
- 2.Switch off first. Connect the LED light wire well with driver's positive and negative poles.
- 3.Make sure this light is well-ventilated and comply with the fire prevention code.
- 4.Never cover the light with insulating mat or similar materials.
- 5.Please follow the engineer's advice if you have any further question.

## Installation Instruction

- 1.Make a mounting hole in the ceiling(ceiling height:5-22mm);Please refer to the model label of the cutout dimension.
- 2.Connect the electric supply to the LED driver input end, and connect the LED fixture input end to the driver output end .Pay attention to the positive pole and negative pole.
- 3.Clench the clips of the fixture, and put the fixture into the mounting hole.
- 4.Adjust the beam angle, and switch on.



## Caution:

- 1.Connect the light's positive and negative wires rightly with driver's poles.
- 2.Don't open the LED light or loosen the screws to keep lamp's long life-span.